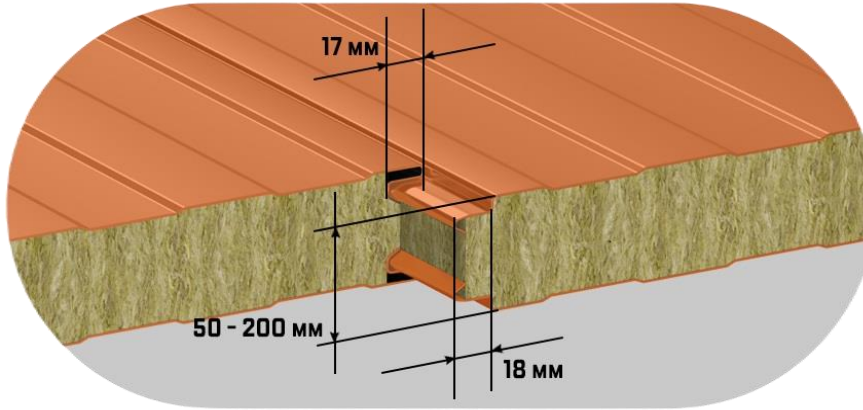


**WALL AND ROOF MINERAL WOOL SANDWICH PANELS. CLASS 1  
 WITH Z-LOCK AND SECRET FIX LOCK**

ALL PRICES IN EURO, VAT NOT INCLUDED

14.12.2023

**WALL PANELS**



**WITH Z-LOCK**

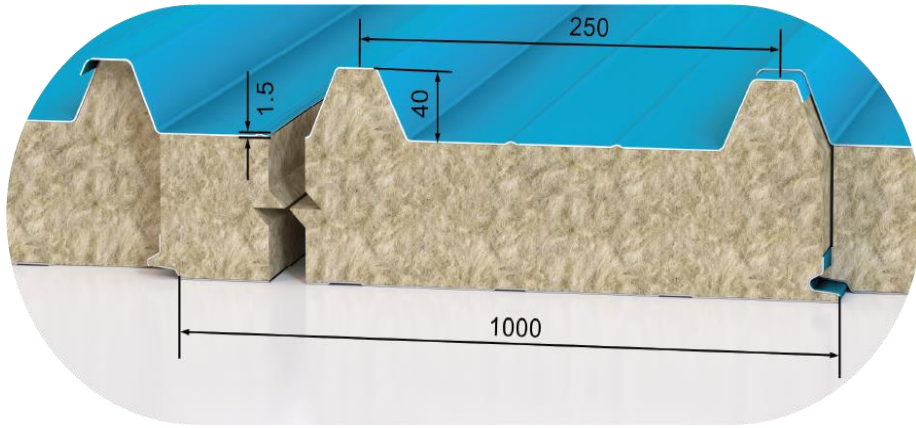
EXTERIOR COATING		PANELS' THICKNESS, MM							
SIDE A	SIDE B	50	60	80	100	120	150	170	200
FIRE RESISTANCE CLASS		EI 30	EI 60	EI 90	EI 150	EI 180			
RAL	RAL	28,15	30,03	33,90	37,53	41,25	46,92	50,55	56,36
	ZN	27,24	29,12	32,99	36,62	40,34	46,01	49,63	55,44
	AISI 304	42,18	44,06	47,94	51,56	55,29	60,95	64,58	70,39
	AISI 430	37,06	38,94	42,81	46,44	50,16	55,83	59,45	65,26
	PVDF	32,08	33,96	37,83	41,46	45,18	50,85	54,48	60,29
	PU	34,78	36,66	40,53	44,16	47,88	53,55	57,17	62,98
	FOOD SAFE	39,46	41,34	45,21	48,84	52,56	58,23	61,86	67,67
ZN	RAL	27,24	29,12	32,99	36,62	40,34	46,01	49,63	55,44
	ZN	26,33	28,21	32,08	35,71	39,43	45,10	48,72	54,53
	AISI 304	41,27	43,15	47,02	50,65	54,37	60,04	63,67	69,48
	AISI 430	36,14	38,02	41,90	45,52	49,25	54,91	58,54	64,35
	PVDF	31,17	33,05	36,92	40,55	44,27	49,94	53,56	59,37
	PU	33,87	35,75	39,62	43,25	46,97	52,63	56,26	62,07
	FOOD SAFE	38,55	40,43	44,30	47,93	51,65	57,32	60,94	66,75
AISI 304	RAL	42,18	44,06	47,94	51,56	55,29	60,95	64,58	70,39
	ZN	41,27	43,15	47,02	50,65	54,37	60,04	63,67	69,48
	AISI 304	56,21	58,10	61,97	65,60	69,32	74,98	78,61	84,42
	AISI 430	51,09	52,97	56,84	60,47	64,19	69,86	73,48	79,29
	PVDF	46,11	47,99	51,87	55,49	59,21	64,88	68,51	74,32
	PU	48,81	50,69	54,56	58,19	61,91	67,58	71,21	77,02
	FOOD SAFE	53,49	55,37	59,25	62,87	66,60	72,26	75,89	81,70
AISI 430	RAL	37,06	38,94	42,81	46,44	50,16	55,83	59,45	65,26
	ZN	36,14	38,02	41,90	45,52	49,25	54,91	58,54	64,35
	AISI 304	51,09	52,97	56,84	60,47	64,19	69,86	73,48	79,29
	AISI 430	45,96	47,84	51,71	55,34	59,06	64,73	68,36	74,17
	PVDF	40,98	42,87	46,74	50,37	54,09	59,75	63,38	69,19
	PU	43,68	45,56	49,44	53,06	56,79	62,45	66,08	71,89
	FOOD SAFE	48,37	50,25	54,12	57,75	61,47	67,13	70,76	76,57

PVDF	RAL	32,08	33,96	37,83	41,46	45,18	50,85	54,48	60,29
	ZN	31,17	33,05	36,92	40,55	44,27	49,94	53,56	59,37
	AISI 304	46,11	47,99	51,87	55,49	59,21	64,88	68,51	74,32
	AISI 430	40,98	42,87	46,74	50,37	54,09	59,75	63,38	69,19
	PVDF	36,01	37,89	41,76	45,39	49,11	54,78	58,40	64,21
	PU	38,71	40,59	44,46	48,09	51,81	57,48	61,10	66,91
	FOOD SAFE	43,39	45,27	49,14	52,77	56,49	62,16	65,79	71,60
PU (POLYURETHANE)	RAL	34,78	36,66	40,53	44,16	47,88	53,55	57,17	62,98
	ZN	33,87	35,75	39,62	43,25	46,97	52,63	56,26	62,07
	AISI 304	48,81	50,69	54,56	58,19	61,91	67,58	71,21	77,02
	AISI 430	43,68	45,56	49,44	53,06	56,79	62,45	66,08	71,89
	PVDF	38,71	40,59	44,46	48,09	51,81	57,48	61,10	66,91
	PU	41,40	43,29	47,16	50,79	54,51	60,17	63,80	69,61
	FOOD SAFE	46,09	47,97	51,84	55,47	59,19	64,86	68,48	74,29
FOOD SAFE	FOOD SAFE	50,77	52,65	56,52	60,15	63,87	69,54	73,17	78,98

WITH SECRET FIX LOCK

EXTERIOR COATING		PANEL'S THICKNESS, MM / SECRET FIX				
SIDE A	SIDE B	60	80	100	120	150
FIRE RESISTANCE CLASS		EI 30	EI 60	EI 90	EI 150	EI 180
RAL	RAL	32,82	37,01	40,71	44,52	50,37
	ZN	31,52	35,71	39,41	43,22	49,06
	AISI 304	52,87	57,06	60,76	64,57	70,41
	AISI 430	45,54	49,73	53,44	57,25	63,09
	PVDF	38,43	42,62	46,33	50,13	55,98
	PU	42,29	46,48	50,18	53,99	59,83
	FOOD SAFE	48,98	53,17	56,87	60,68	66,52
ZN	RAL	31,52	35,71	39,41	43,22	49,06
	ZN	30,21	34,40	38,11	41,92	47,76
	AISI 304	51,56	55,75	59,46	63,27	69,11
	AISI 430	44,24	48,43	52,13	55,94	61,79
	PVDF	37,13	41,32	45,02	48,83	54,67
	PU	40,98	45,17	48,88	52,69	58,53
	FOOD SAFE	47,67	51,87	55,57	59,38	65,22
AISI 304	RAL	52,87	57,06	60,76	64,57	70,41
	ZN	51,56	55,75	59,46	63,27	69,11
	AISI 304	72,91	77,10	80,81	84,62	90,46
	AISI 430	65,59	69,78	73,48	77,29	83,13
	PVDF	58,48	62,67	66,37	70,18	76,02
	PU	62,33	66,52	70,23	74,04	79,88
	FOOD SAFE	69,02	73,21	76,92	80,73	86,57
AISI 430	RAL	45,54	49,73	53,44	57,25	63,09
	ZN	44,24	48,43	52,13	55,94	61,79
	AISI 304	65,59	69,78	73,48	77,29	83,13
	AISI 430	58,26	62,45	66,16	69,97	75,81
	PVDF	51,15	55,34	59,05	62,86	68,70
	PU	55,01	59,20	62,90	66,71	72,56
	FOOD SAFE	61,70	65,89	69,60	73,40	79,25
PVDF	RAL	38,43	42,62	46,33	50,13	55,98
	ZN	37,13	41,32	45,02	48,83	54,67
	AISI 304	58,48	62,67	66,37	70,18	76,02
	AISI 430	51,15	55,34	59,05	62,86	68,70
	PVDF	44,04	48,23	51,94	55,75	61,59
	PU	47,90	52,09	55,79	59,60	65,44
	FOOD SAFE	54,59	58,78	62,48	66,29	72,13
PU (POLYURETHANE)	RAL	42,29	46,48	50,18	53,99	59,83
	ZN	40,98	45,17	48,88	52,69	58,53
	AISI 304	62,33	66,52	70,23	74,04	79,88
	AISI 430	55,01	59,20	62,90	66,71	72,56
	PVDF	47,90	52,09	55,79	59,60	65,44
	PU	51,75	55,94	59,65	63,46	69,30
	FOOD SAFE	58,44	62,63	66,34	70,15	75,99
FOOD SAFE	FOOD SAFE	65,13	69,33	73,03	76,84	82,68

## ROOF PANELS



EXTERIOR COATING		PANELS' THICKNESS, MM							
SIDE A	SIDE B	50	60	80	100	120	150	170	200
FIRE RESISTANCE CLASS		RE 15		RE 30	REI 45		REI 60		
<b>RAL</b>	RAL	32,80	34,61	38,50	42,08	45,72	51,16	55,02	60,45
	ZN	31,74	33,55	37,44	41,02	44,66	50,10	53,96	59,39
	AISI 304	49,19	51,00	54,89	58,47	62,11	67,55	71,41	76,84
	AISI 430	43,21	45,02	48,90	52,48	56,13	61,56	65,43	70,86
	PVDF	37,39	39,20	43,09	46,67	50,31	55,75	59,61	65,04
	PU	40,54	42,35	46,24	49,82	53,46	58,90	62,76	68,19
	FOOD SAFE	46,02	47,83	51,71	55,29	58,94	64,37	68,24	73,67
<b>ZN</b>	RAL	31,74	33,55	37,44	41,02	44,66	50,10	53,96	59,39
	ZN	30,67	32,48	36,37	39,95	43,60	49,03	52,90	58,33
	AISI 304	48,13	49,94	53,83	57,40	61,05	66,48	70,35	75,78
	AISI 430	42,14	43,95	47,84	51,42	55,06	60,50	64,37	69,79
	PVDF	36,33	38,13	42,02	45,60	49,25	54,68	58,55	63,98
	PU	39,48	41,29	45,17	48,75	52,40	57,83	61,70	67,13
	FOOD SAFE	44,95	46,76	50,65	54,23	57,87	63,31	67,17	72,60
<b>AISI 304</b>	RAL	49,19	51,00	54,89	58,47	62,11	67,55	71,41	76,84
	ZN	48,13	49,94	53,83	57,40	61,05	66,48	70,35	75,78
	AISI 304	65,58	67,39	71,28	74,86	78,50	83,94	87,80	93,23
	AISI 430	59,60	61,40	65,29	68,87	72,52	77,95	81,82	87,25
	PVDF	53,78	55,59	59,48	63,06	66,70	72,13	76,00	81,43
	PU	56,93	58,74	62,63	66,21	69,85	75,29	79,15	84,58
	FOOD SAFE	62,40	64,21	68,10	71,68	75,33	80,76	84,63	90,06
<b>AISI 430</b>	RAL	43,21	45,02	48,90	52,48	56,13	61,56	65,43	70,86
	ZN	42,14	43,95	47,84	51,42	55,06	60,50	64,37	69,79
	AISI 304	59,60	61,40	65,29	68,87	72,52	77,95	81,82	87,25
	AISI 430	53,61	55,42	59,31	62,89	66,53	71,97	75,83	81,26
	PVDF	47,79	49,60	53,49	57,07	60,71	66,15	70,02	75,44
	PU	50,94	52,75	56,64	60,22	63,87	69,30	73,17	78,60
	FOOD SAFE	56,42	58,23	62,12	65,70	69,34	74,78	78,64	84,07
<b>PVDF</b>	RAL	37,39	39,20	43,09	46,67	50,31	55,75	59,61	65,04
	ZN	36,33	38,13	42,02	45,60	49,25	54,68	58,55	63,98
	AISI 304	53,78	55,59	59,48	63,06	66,70	72,13	76,00	81,43
	AISI 430	47,79	49,60	53,49	57,07	60,71	66,15	70,02	75,44
	PVDF	41,98	43,79	47,67	51,25	54,90	60,33	64,20	69,63
	PU	45,13	46,94	50,83	54,40	58,05	63,48	67,35	72,78
	FOOD SAFE	50,60	52,41	56,30	59,88	63,52	68,96	72,83	78,25
<b>PU (POLYURETHANE)</b>	RAL	40,54	42,35	46,24	49,82	53,46	58,90	62,76	68,19
	ZN	39,48	41,29	45,17	48,75	52,40	57,83	61,70	67,13
	AISI 304	56,93	58,74	62,63	66,21	69,85	75,29	79,15	84,58
	AISI 430	50,94	52,75	56,64	60,22	63,87	69,30	73,17	78,60
	PVDF	45,13	46,94	50,83	54,40	58,05	63,48	67,35	72,78
	PU	48,28	50,09	53,98	57,56	61,20	66,63	70,50	75,93
	FOOD SAFE	53,75	55,56	59,45	63,03	66,67	72,11	75,98	81,40
<b>FOOD SAFE</b>	<b>FOOD SAFE</b>	59,23	61,04	64,93	68,51	72,15	77,59	81,45	86,88

PH INSULATION MANUFACTURES CLASS 1 SANDWICH PANELS  
ON ITALIAN PU.MA CONTINUES LINE

- Mineral Wool Density - 105 kg/m<sup>3</sup>
- You can request sandwich panels with high-quality standard metal of leading Russian and world suppliers Severstal, NLMK, MMK, Arcelor, SSAB, Lampre, etc. with polymer coating.
- Or you can request the special metal according to your requirements:
  - wide range of colors according to RAL chart for polymer coating.
  - various coatings: Polyester, Pural, PVDF, or Food Safe Laminate (a special 110 µm thick coating for food products storage and processing facilities: meat and fish processing plants, dairy farming, etc).
- You can also choose the panels with flat surface or with ribs for elevated sturdiness.
- All PH Insulation panels are delivered wrapped in a surface-protection plastic film for transportation.

